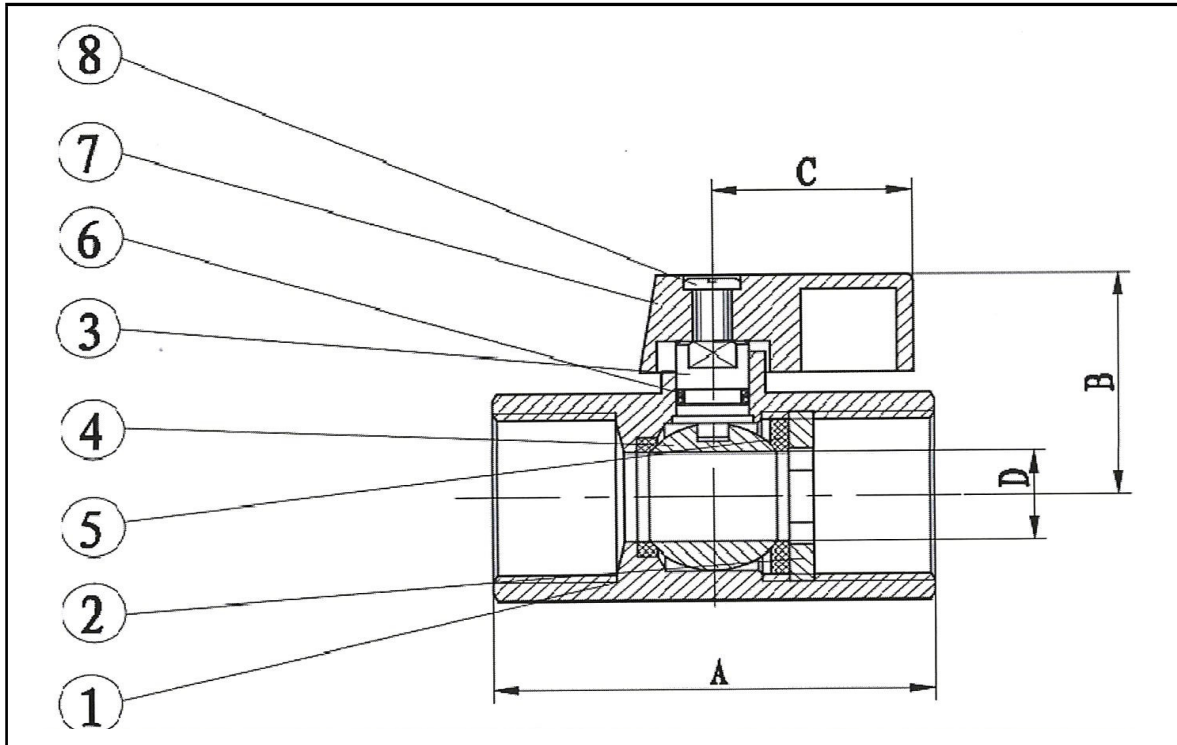




LL1027A (F/F) MINI BALL VALVE



NO	Parts	Material
1	Body	Brass
2	Bonnet	Brass
3	Stem	Brass
4	Ball Seat	PTFE
5	Ball	Brass
6	O rings	NBR
7	Handle	Alumium
8	Nut	Stainless Steel 201#

MINI BALL VALVE

SUITABLE FOR WATER SERVICES,
HEATING AND AIR-CONDITIONING
PLANTS, COMPRESSED AIR SYSTEMS

Dimension:mms	1/4"	3/8"	1/2"
A	40.5	40.5	44.5
B	25	25	28
C	22	22	22
D	8	8	10
PN	25	25	25