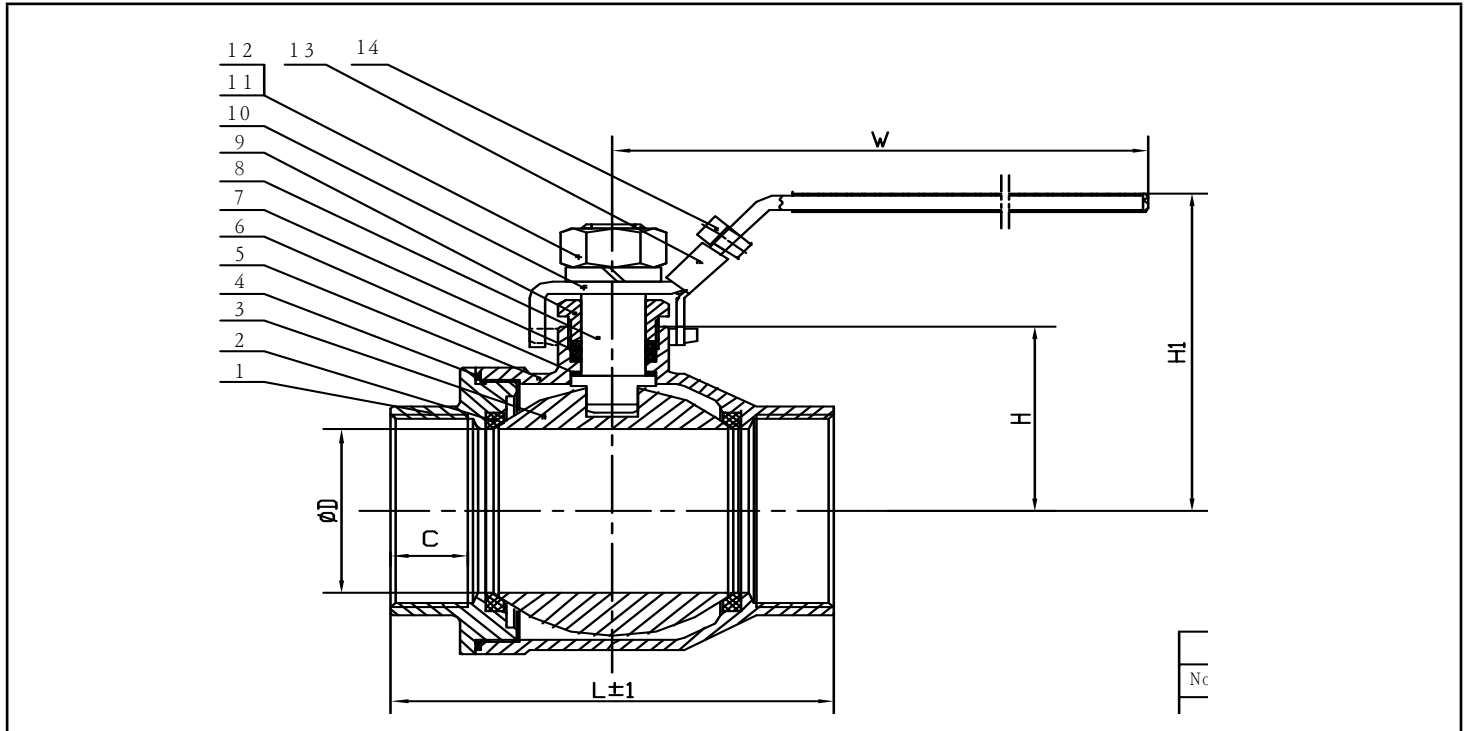


## 2 PC STAINLESS STEEL BALL VALVE FULLPORT, 1000 WOG, PN63, LIGHT TYPE



NO	PARTS NAME	MATERIAL
1	End Cap	CF8M
2	Seat	PTFE/RPTFE
3	Ball	SS316
4	Gasket	PTFE
5	Body	CF8M
6	Stem Gasket	PTFE
7	Packing	PTFE
8	Stem	A276 316
9	Packing Gland	A276 304
10	Handle	A276 201
11	Spring Washer	A193-B8
12	Handle Nut	A194-8
13	Handle Lock	A276 201
14	Pin	PLASTIC

MAIN TECHNICAL PARAMETER			
NORMAL PRESSURE		1000	PSI
Test pressure	Shell test pressure	10.5	MPa
	Tightness test	7.7	
	Gas-Tightness Test	0.6	
Max working temperature		-20 ~ 160	°C
Applicable medium: water, gas, oil, acid			

TECHNICAL SPECIFICATION	
1 Basic design and manufacture according to ANSI B16.34	
2 BSPT Threaded ends	
3 Inspection and tested according to API598	

SIZE	Ød	L	W	H	H1	C	End Thread
1/2"	14	53	98	24	59	12	BSPT
3/4"	20	62	120	30.5	67	13	
1"	24	73	120	33.5	70	15.5	
1-1/4"	31.5	87	150	41	80.5	17.5	
1-1/2"	38	96	170	50	94	18	
2"	48	108	170	58	102	18	
2-1/2"	64	138	250	72.5	125	24	
3"	76	164	250	83	135.5	27.5	