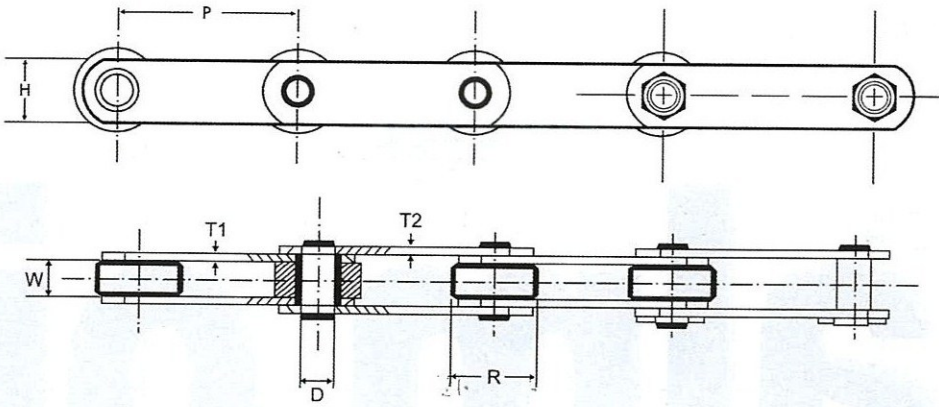


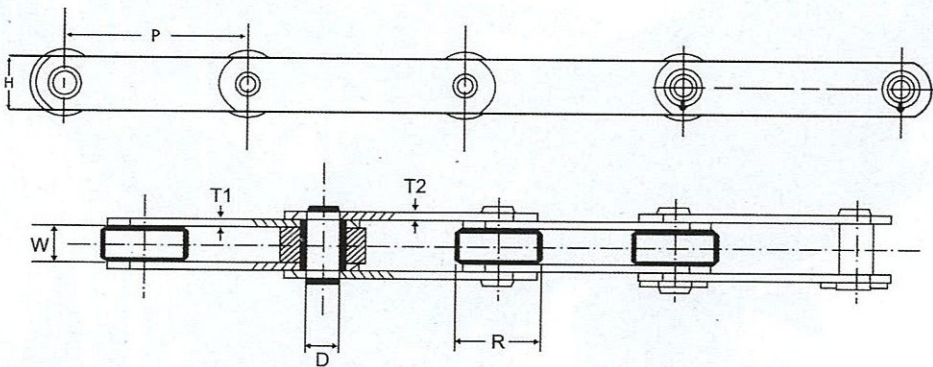
Solid Pin Chain



Unit : mm

Chain No.	Average Tensile Strength	Pitch	Roller Diameter	Inner Width	Pin Diameter	Inner Plate Thickness	Outer Plate Thickness	Plate Height
	lbf	P	R	W	D	T1	T2	H
SM220040	22000	101.6	47.6	19.0	19.0	5.0	5.0	38.1
SM400060	40000	152.4	66.7	25.4	27.0	8.0	8.0	50.8
SM600060	60000	152.4	66.7	25.4	27.0	9.0	8.0	50.8

Hollow Pin Chain



Unit : mm

Chain No.	Average Tensile Strength	Pitch	Roller Diameter	Inner Width	Hollow Pin Bore Dia	Inner Plate Thickness	Outer Plate Thickness	Plate Height
	lbf	P	R	W	D	T1	T2	H
HM200040	20000	101.6	47.6	19.0	13.2	5.0	5.0	38.1
HM360060	36000	152.4	66.7	25.4	20.1	8.0	8.0	50.8
HM500060	50000	152.4	66.7	25.4	20.1	9.0	8.0	50.8